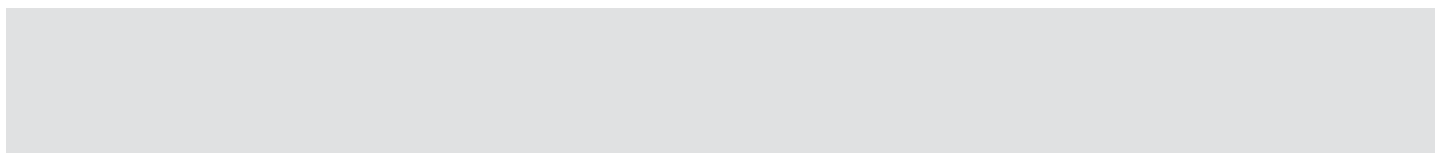


DATA SHEET.

RIDE-ON SCRUBBER DRYER.

ARA 66|BM 70



G. Staehle GmbH u. Co. KG
Mercedesstrasse 15
D 70372 Stuttgart
Telefon +49 (0) 7 11/95 44-960
Telefax +49 (0) 7 11/95 44-941
export@columbus-clean.com
www.columbus-clean.com

columbus

ERGONOMIC. EFFICIENT. AND EXCEPTIONALLY COMPACT.

ARA 66|BM 70

- With a capacity of 70 litres, this ride-on scrubber dryer can perform efficient operations, even – and especially – in hospitals, supermarkets and other small buildings even with cramped and heavily-furnished areas.
- The standard electronic water dosing system allows exact water supply following the needs of different cleaning tasks.
- Whether the operator is just 155 cm or 195 cm tall, the long seat allows everyone to find the right position to work fatigue-free and relaxed.
- Fast, easy and hygienic changing of brushes and pad holders: the brushes and pad holders do not only spin-off with the press of a button, they also spin-on automatically.
- Fresh water can be filled up in an instant – via the integrated, industry-standard system connector or via the large filling opening.
- HACCP hygiene standards: the solution and recovery tank have inspection openings and can be thoroughly cleaned, the lid seals can be removed without tools.
- Robust mechanics: simple operating switches to turn the machine on and off and for forward and backward movements. Mechanical lowering of brushes and squeegee.
- Powerful traction motor and rear-wheel drive allow scrubbing on inclines of up to 12%.
- Optional: Various tyre variants for optimum adaption to diverse working conditions.
- Easy service: the seat can be lifted up to provide free access to batteries and components.
- The arch-shaped squeegee tool adapts to the movements of the machine and will perfectly pick up without leaving any waste water even on tight turns.
- Operators can act quickly and flexibly thanks to a low step height, an open cockpit on both sides and a spacious footwell.
- Just 138 cm long and 85 cm wide, the ride-on scrubber dryer fits into all standard lifts and can easily negotiate narrow check-out areas.



MECHANICS INSTEAD OF ELECTRONICS. AND LOTS OF USEFUL FEATURES.

- Optional: silent-version that operates at only 59 dB(A) and a security-kit for advanced security when used in facilities that are open to the public.
- Environmentally friendly: the optional chemical dosage provides for a consistently high cleaning level with a low consumption of cleaning products. The 8 litres chemical tank can be removed without tools.
- A faster clean: the area covered every hour is up to 600 m² larger compared to the performance of walk-behind scrubber dryers of the same size.
- DEKRA certified.
- And: made in Germany.



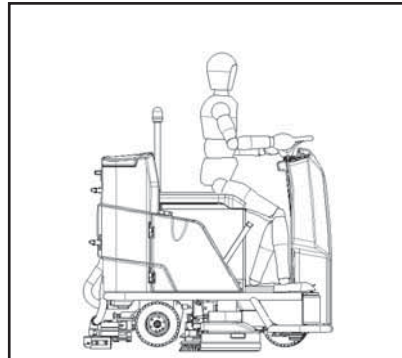
Pull-out filter for large debris



Emergency stop button



With small operator



With tall operator



ARA 66|BM70

L x B x H	1380 x 680 x 1170 mm
Working width	660 mm
Suction width	850 mm
Theoretical coverage max.	3960 / 4620 m ² /h*
Noise level	63/59** dB(A)
Empty weight	187 kg
Operating weight (180 Ah 5)	456 kg

BATTERIES/ELECTRICAL DATA

Rated voltage	24 V
Power max.	1690 W
Number of batteries	4
Capacity wet	200 Ah 5
Capacity gel	180 Ah 5

TANK

Solution tank capacity	70 l
Recovery tank capacity	80 l

SUCTION

Low pressure max.	110 mbar
Air flow max.	32 l/s

TRACTION

Power max.	750 W
Speed max.	6 / 7 km/h

BRUSHES AND PAD HOLDERS

Number	2
Speed	180 rpm
Brush pressure	30 kg

*available with 6 km/h or 7 km/h

**silent version, optional.

